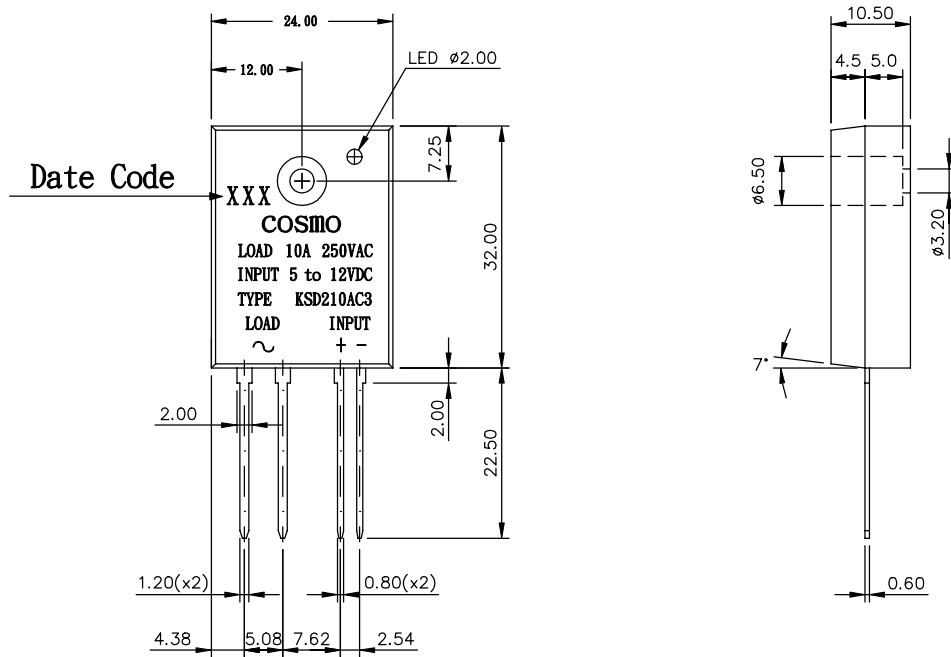


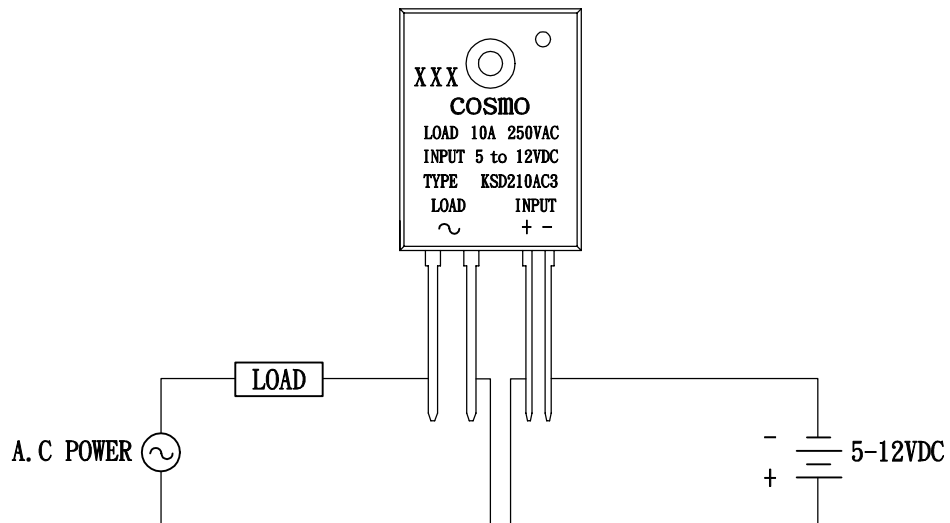
PRODUCT SPECIFICATION

COSMO ELECTRONICS CORPORATION	SOLID STATE RELAY: KSD210AC3	SHEET 1 OF 2
---	---	---------------------

1. OUTSIDE DIMENSION : UNIT (mm)



2. SCHEMATIC : TOP VIEW



PRODUCT SPECIFICATION

COSMO ELECTRONICS CORPORATION	SOLID STATE RELAY: KSD210AC3	SHEET 2 OF 2
---	--	--------------

3. Absolute Maximum Ratings

Parameter		Symbol	Rating	Unit
Input	Input signal voltage	V_{IN}	5~12	VDC
	Drop-out voltage	V_{do}	1	VDC
Output	RMS on-state current	I_T	10	Arms
	Peak one cycle surge current	I_{surge}	100	A
	Repetitive peak-off state voltage	V_{DRM}	600	V
	Operating frequency	f	47~70	Hz
	Critical rate of rise of on-state current	di/dt	50	A/us
	Load supply voltage	V_{out}	250	Vrms AC
Isolation voltage input to output		V_{iso}	4000	Vrms
Operating temperature		T_{opr}	-30~100	°C
Storage temperature		T_{stg}	-30~125	°C
Soldering temperature 10sec		T_{sol}	260	°C

4. Electrical Characteristics

($T_a=25^{\circ}\text{C}$)

Parameter		Symbol	Conditions	MIN	TYP	MAX	Unit
Input	Pick-up voltage	V_{pu}	$I_t=1\text{Arms}$			4	VDC
	Input current	I_{in}	$V_{in}=5\sim 12\text{V}$	5		25	mA
Output	On-state voltage	V_T	$I_T=1\text{Arms}$			1.5	Vrms
	Operating current	I_{op}	$V_{out}=240\text{vrms}$	50			mArms
	Leakage current	I_{leak}	$V_{out}=240\text{vrms}$			7	mArms
	Critical rate of rise of off-state voltage	dv/dt	See Note 1	50	200		V/us
	Zero-cross voltage	V_{ox}	$I_{in}=7\text{mA}$	50		35	VAC
	Load Voltage Rating	V_{out}	$I_T=50\text{mArms MIN}$			280	VAC
Minimum trigger current		I_{FT}	$V_{DRM}=600\text{V}$			10	mA
Isolation resistance input to output		R_{iso}	DC500V	10^{10}			Ω
Turn-on time		T_{on}	60Hz AC			8.3	ms
Turn-off time		T_{off}	60Hz AC			8.3	ms
Thermal resistance (between junction and case)		R_{th} (j-c)1			1.3		°C/W